



MORE INFORMATION



MANUALS



All materials are compatible
with RoHS requirements.

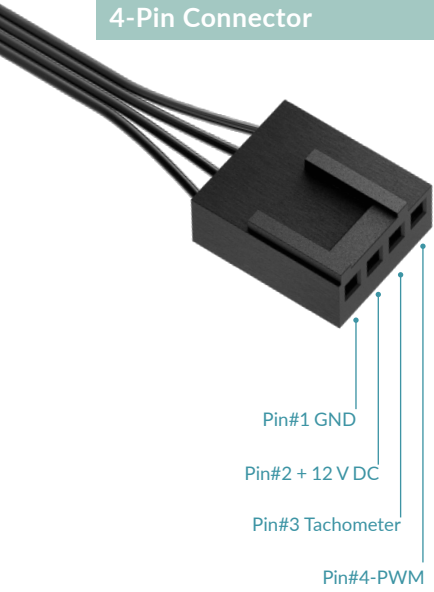


S12038-4K

120 mm 4k rpm Server Fan



4-Pin Connector



S12038-4K Specifications

General Specifications

Dimensions	120 (L) x 120 (W) x 38 (H) mm
Weight	320 g
Flammability UL 94	V-0
Operating Ambient Temperature	-10°C ~ 70°C
Warranty	6 Years

Fan Specifications

Speed	600-4000 rpm PWM controlled
Static Pressure	11.45 mmH ₂ O
Airflow	106 cfm 180 m ³ /h
Bearing	Dual Ball Bearing with Brass Housing
Cable Length	300 mm, Black
Connector	4-Pin Fan Connector
Current Voltage	0.33 A 12.0 V DC
Start-Up Voltage	3.1 V DC
Current (Maximum)	0.6 A
Motor Protection Features	Reverse Polarity Protection

S12038-4K Shipping Information

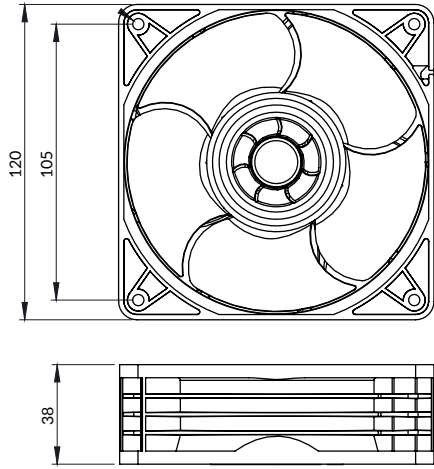
Single Fan

Package Content	S12038-4K x1 Mounting Screws x4 Impeller Sticker x1
Box Dimensions	125 (L) x 125 (W) x 43 (H) mm
Gross Weight	362 g
SKU	ACFAN00296A
EAN	4895213704694
UPC	840033402460

3 Pack

Package Content	S12038-4K x3 Mounting Screws x12 Impeller Sticker x3
Box Dimensions	137 (L) x 135 (W) x 135 (H) mm
Gross Weight	1091 g
SKU	ACFAN00303A
EAN	4895213704717
UPC	840033402484

Dimensions



S12038-4K

P/Q Curve

